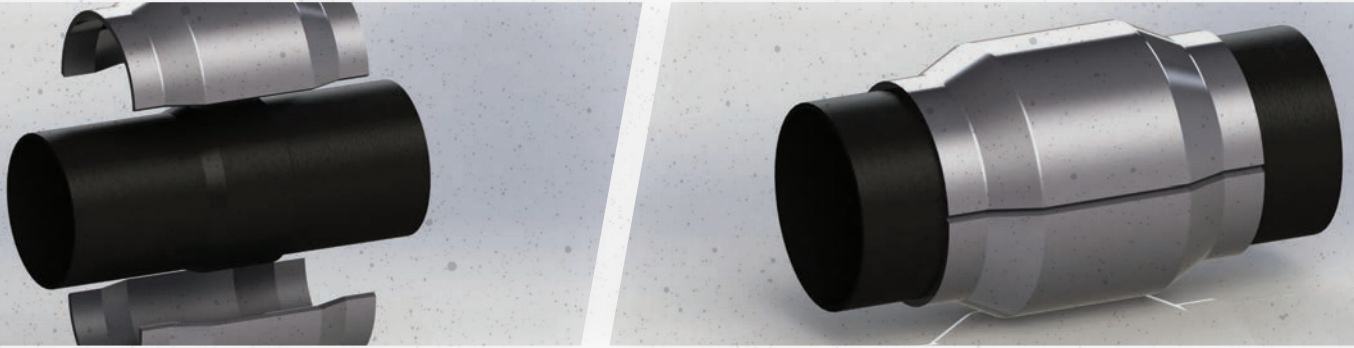


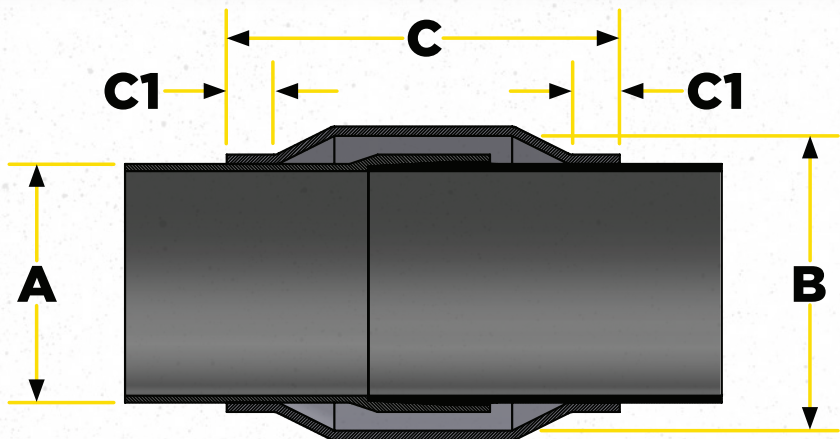
LOW PROFILE PUMPKINS

Allan Edwards offers custom-made low profile pumpkin sleeves to reinforce pipelines with screw collars and dresser couplings. Available for 6, 8, 10 and 12-inch pipe, these sleeves are fabricated with special dies to create two 180° halves that encircle the pipe. Low profile pumpkin sleeves are formed from ASTM-grade structural quality steel plate. The charts included below provide measurement specifications applicable to these sleeve sizes. For additional details, please contact Allan Edwards.



Key:

- **A** = Pipe Diameter
- **B** = Max Diameter (I.D.)
- **C** = Overall Length
- **C1** = Collar Length
- **C2** = Band Length

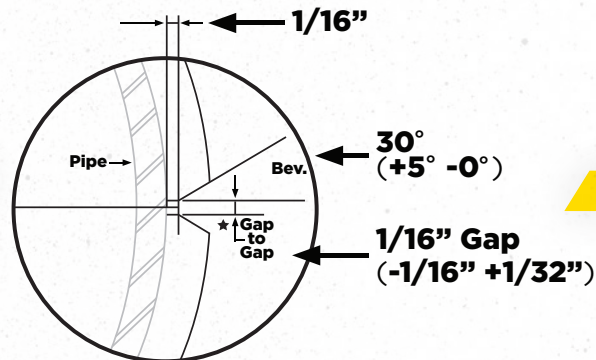


Low Profile Sleeve Dimensions

NOMINAL PIPE SIZE (INCHES)	A	B	C	C1	C2	WALL THICKNESS	GRADE
6	6-5/8"	7-1/4" (+/- 1/8")	14"	3"	6" (+ 1/4", - 0")	1/4"	GR50
8	8-5/8"	10-1/2" (+/- 1/8")	15"	3"	7" (+ 1/4", - 0")	5/16"	GR50
10	10-3/4"	12-1/2" (+/- 1/8")	15-1/2"	3-1/4"	7" (+ 1/4", - 0")	3/8"	GR50
12	12-3/4"	14-3/4" (+/- 1/8")	17"	2-3/4"	9-1/2" (+ 1/4", - 0")	5/16"	GR50

*all listed diameters are manufactured from A572-50 material

Bevel Detail on Long. Seam



6468 N Yale Ave. Tulsa, OK 74117 // allanedwards.com // 918.583.7184